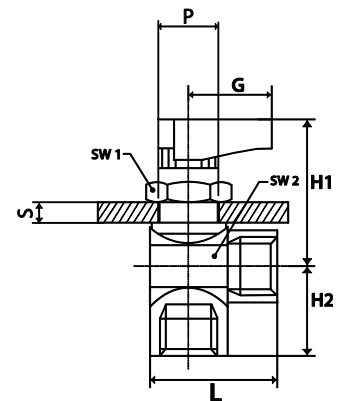


For panel mounting

Body and ball	Chrome plated-brass
Rotating handle:	PA 66 glass fibre-reinforced
Ball seals	PTFE
Stem seal	NBR
Operating temperature	-20 °C to +80 °C
Operating pressure	-0,99 bar to 20 bar
Thread	G thread acc. to DIN EN ISO 228-1
Applications	Compressed air, water, oil



Angle mini ball valves

Art. No.	Ident No.	Thread	DN	a/f 1 mm	a/f 2 mm	L mm	G mm	H1 mm	H2 mm	S max. mm	P mm
380.01	103360	G 1/8 female	5	17	17	28.5	19.0	33.5	15.5	4.5	14.5
380.02	103361	G 1/4 female	5	17	17	28.5	19.0	33.5	17.5	4.5	14.5
380.03	103362	G 3/8 female	7	17	21	31.0	19.0	35.0	19.5	4.5	14.5

